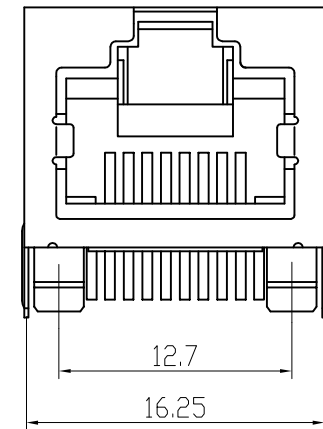
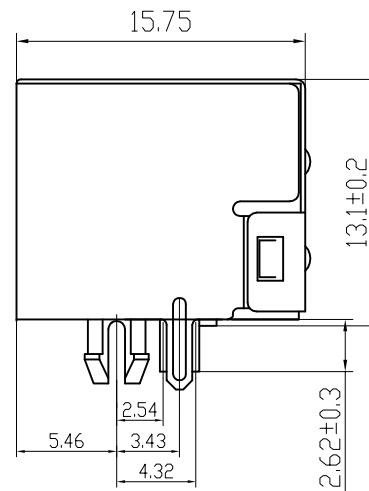
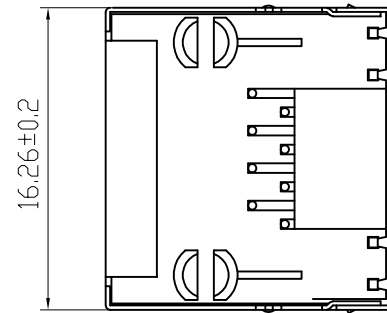


PC Board Layout



PCB JACK Specification

1. Insulation Resistance: 500M Ω MIN @ 500 VDC
2. Withstanding Voltage: AC1000V 50Hz or 60Hz 1min.
3. Durability: 600 Mating Circles MIN.
4. Gold Plating: (3;6;15;30;50)u inch
5. Tolerances Unless Otherwise Specified  
 .0 ± 0.25   .00 ± 0.20   .000 ± 0.10

电话 (tel)	0769-81585156		Http://www.coorle.com		Coorle Technology		
传真 (fax)	0769-81605156						
单位 (units)	MM	设计 (draw)		材料 (mt' l)		图名 (name)	56S 8P8C 1X1
比例 (scale)	1 : 1	审核 (ch' k)		SHIELD	H65Y		
版次 (rev.)	A / 1	核准 (app' d)		HOUSING	PBT	料号 (Part number)	
视图 (view)		日期 (date)	2007. 08. 18	PIN	Qsn6. 5-0. 1	图档 (File Name)	